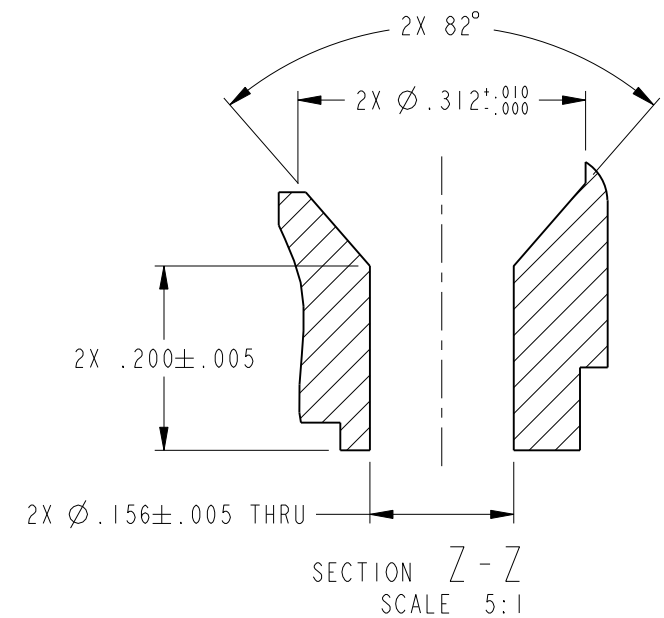
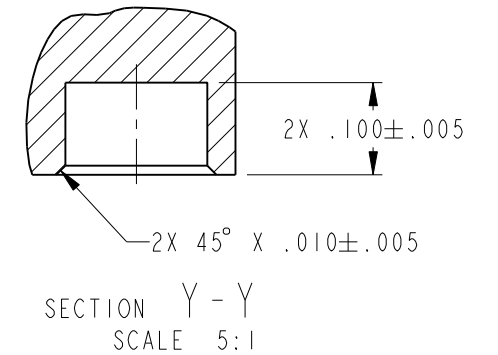
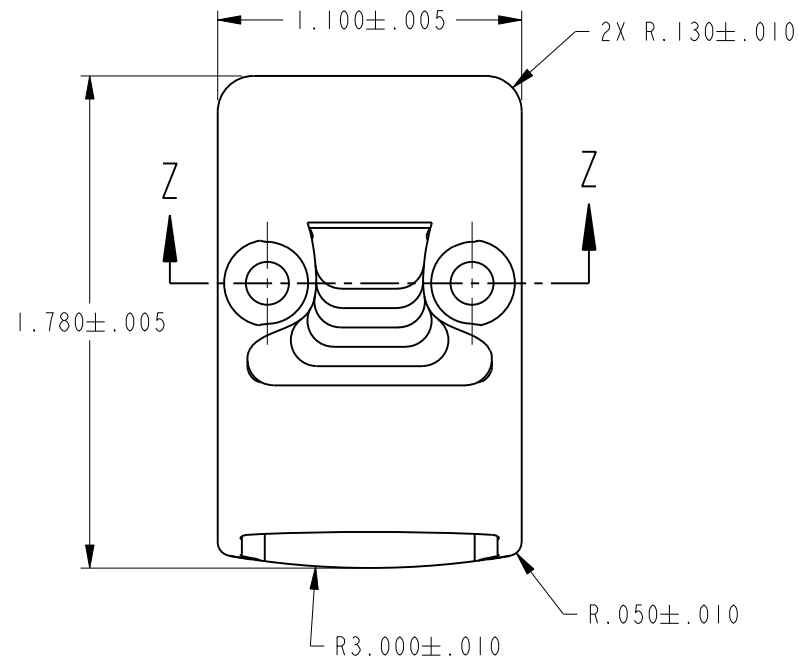
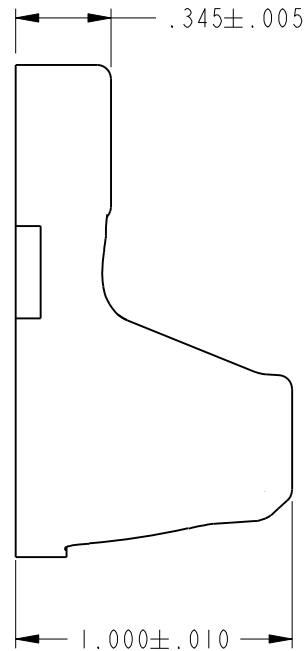
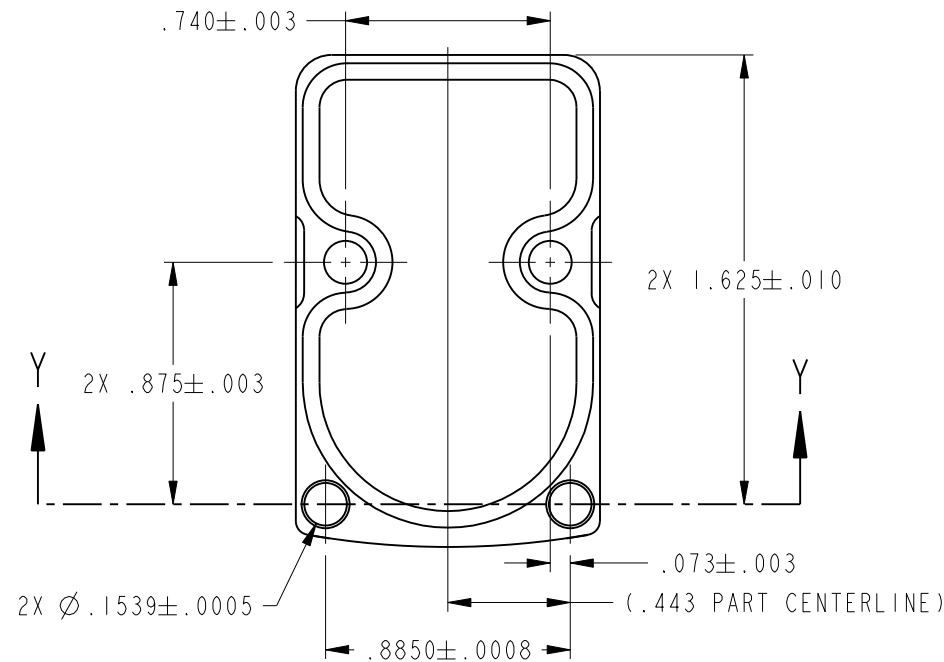
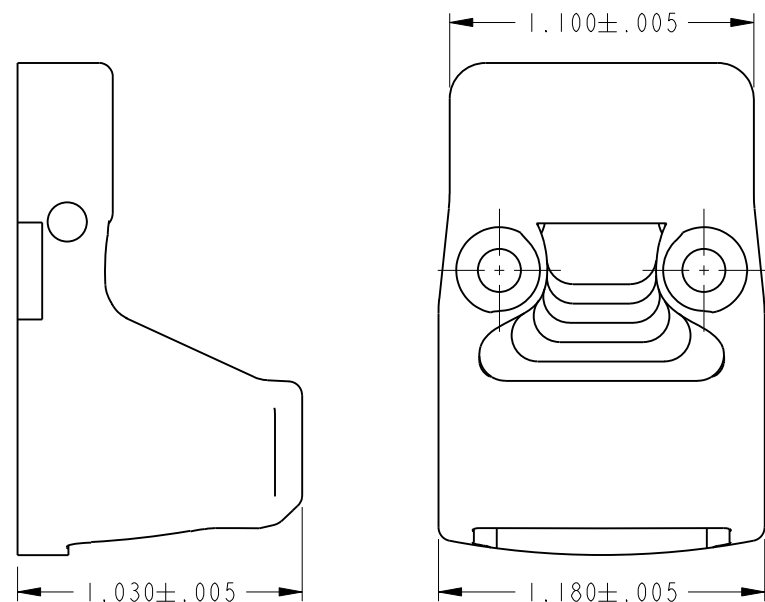


THIS DRAWING, THE STRUCTURAL DESIGN DISCLOSED THEREIN, AND THE TECHNICAL AND THE ENGINEERING DATA, INFORMATION AND SERVICE REPRESENTED THEREBY ARE THE EXCLUSIVE PROPERTY OF TRIJICON, INC. IT IS TO BE RETURNED TO TRIJICON OR DESTROYED UPON WRITTEN REQUEST AND IS NOT TO BE REPRODUCED IN WHOLE OR IN PART OR DISCLOSED TO ANYONE ELSE WITHOUT THE EXPRESS WRITTEN CONSENT OF TRIJICON. VIOLATIONS OF TRIJICON'S RIGHTS WILL BE PROSECUTED TO THE FULLEST EXTENT OF THE LAW.

EXPORT SENSITIVE - THIS DOCUMENT MAY CONTAIN TECHNICAL DATA SUBJECT TO THE INTERNATIONAL TRAFFIC IN ARMS REGULATIONS (ITAR) AS DEFINED BY TITLE 22 CFR, PART 120.10. THE EXPORT OF TECHNICAL DATA IS RESTRICTED BY THE ARMS EXPORT CONTROL ACT (22 USC 2751 ET SEQ.). DISCLOSURE TO FOREIGN PERSONS IN THE UNITED STATES OR OTHERWISE WITHOUT THE PRIOR WRITTEN AUTHORIZATION OF THE U.S. DEPARTMENT OF STATE IS PROHIBITED.



LED ILLUMINATED MODEL



DUAL ILLUMINATED MODEL

DIMENSIONS NOT SHOWN ARE SIMILAR TO LED ILLUMINATED MODEL

WARNINGS:

1. ANY MODIFICATIONS MADE TO A FIREARM SHOULD BE MADE BY A LICENSED PROFESSIONAL GUNSMITH. FAILURE TO DO SO WILL VOID THE MANUFACTURERS WARRANTY, AND MAY RESULT IN AN UNSAFE FIREARM, AND CAUSE SERIOUS INJURY OR DEATH.
2. TRIJICON ASSUMES NO LIABILITY FOR INSTALLATION, CRAFTSMANSHIP, AND MODIFICATIONS MADE TO A FIREARM OR MOUNTING SYSTEM THAT MAY RESULT IN ANY OF THE FOLLOWING:
 - A. PERSONAL INJURY OR DEATH,
 - B. CAUSE THE FIREARM TO NOT FUNCTION PROPERLY OR MALFUNCTION, OR
 - C. CAUSE THE FIREARM TO BECOME UNSAFE IN ANY MANNER.
3. TRIJICON IS NOT RESPONSIBLE FOR ANY DAMAGE TO THE SIGHT, MOUNT, MOUNTING SYSTEM, OR FIREARM DURING OR AFTER THE INSTALLATION MOUNT.

NOTE:
 1. ALL DIMENSIONS ARE IN INCHES.
 2. SUBJECT TO CHANGE WITHOUT NOTICE.

Trijicon, Inc. 49385 SHAFER AVE., WIXOM, MI 48393-0059 PH:(248) 960-7700 FAX:(248) 960-7725		
TITLE RMR MAIN HOUSING (FOOTPRINT)		
SIZE B	DRAWING NO. MRD3181	REV. A
SCALE 3:2	UNIT WT.	SHEET 1 OF 1